

Technische Informationen
Engineering Data Sheet
Informations Techniques

EOL 8001

End of Line Slave Module

Beschreibung

Das EOL Slave Modul dient zur Lautsprecher-Linien berwachung. Gemeinsam mit dem EOL Master fest integriert in den DPA erst r kern ist in den P OMAT I 8000 Systemen eine kontinuierliche berwachung auf Leitungskurzschluss und Leitungsunterbrechung m glich.

EOL 8001 Eigenschaften:

- Erkennung von Ader- oder Kabelbruch
 - Geeignet f r 100 70 bzw. 50 Lautsprecherleitungen
 - Spannungsversorgung ber die Lautsprecherleitung
 - Mehrere Module auf einer Lautsprecherleitung
 - Leistungsaufnahme 20 m
 - Bis zu 30 Module an einem erst rkerkanal anschlie bar
- Weitere Informationen finden Sie in der Dokumentation von I IS-Net und der DPA Bedienungsanleitung.

Description

The EOL Slave Module monitors the integrity of a loudspeaker line. In combination with a EOL Master integrated in every DPA amplifier of the P OMAT I 8000 system the loudspeaker line can be monitored against short-circuit or open-circuit.

EOL 8001 features:

- Detection of wire break or cable break
 - Compatible with 100 70 or 50 loudspeaker lines
 - Powering of the module via loudspeaker line
 - Multiple modules at one loudspeaker line possible
 - Power consumption 20 m
 - Up to 30 modules can be connected to one amplifier output channel
- Please refer to the documentation of I IS-Net or the DPA amplifier for more details.

Description

Le module esclave EOL contr le l int grit de la ligne haut-parleur. En combinaison avec un EOL ma tre int gr dans les amplificateurs DPA du syst me P OMAT I 8000 le contr le de la ligne haut-parleur permet de d tecter les court-circuits ou les coupures sur la ligne.

Les fonctions l EOL 8001:

- D ttection de la rupture d un fil ou d un c ble
 - Compatibilit avec les lignes haut-parleur 100 70 ou 50
 - Alimentation du module via la ligne haut-parleur
 - Possibilit de modules multiples sur une seule ligne haut-parleur
 - Consommation lectrique 20 m
 - usqu 30 modules peuvent tre connect s un canal de sortie d amplificateur
- Merci de vous r f rer la documentation d I IS-Net ou celle des amplificateurs DPA pour plus de d tails.

Part Number

EOL 8001	End of Line Slave Module	PDC-121967
----------	--------------------------	------------

Inhalt

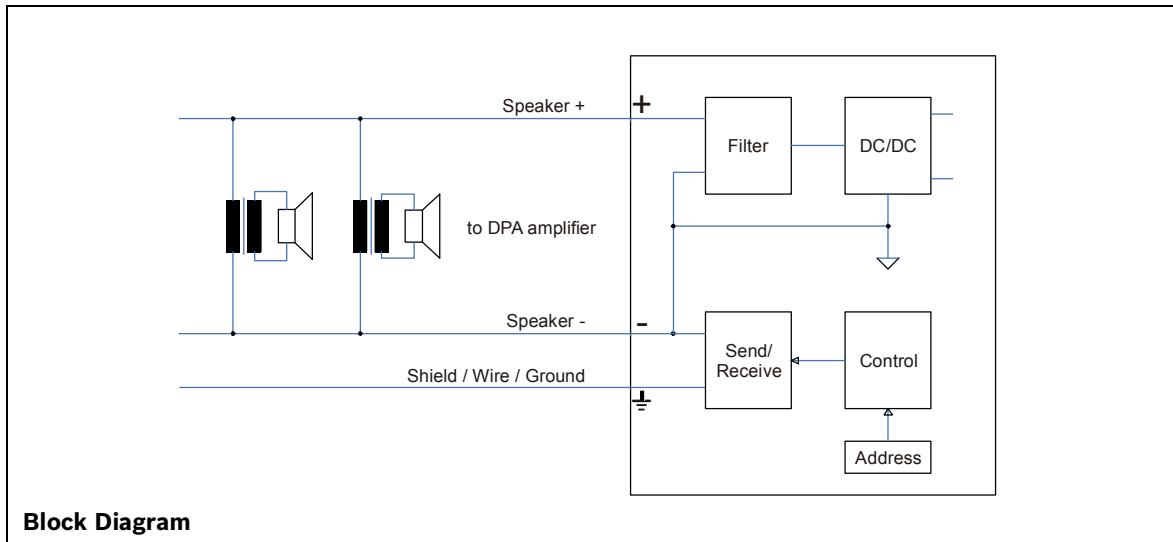
- 1 x EOL 8001 Slave Modul
- 1 x Technische Informationen

Contents

- 1 x EOL 8001 Slave Module
- 1 x Engineering Data Sheet

Contenu

- 1 x EOL 8001 Slave Module
- 1 x Informations Techniques



DIP Switch Setting

DIP Switch S 2				DIP Switch S 1				
4	3	2	1	4	3	2	1	
-	-	-	OFF	OFF	OFF	OFF	OFF	0 disconnected
-	-	-	OFF	OFF	OFF	OFF	ON	1
-	-	-	OFF	OFF	OFF	ON	OFF	2
-	-	-	OFF	OFF	OFF	ON	ON	3
-	-	-	OFF	OFF	ON	OFF	OFF	4
-	-	-	OFF	OFF	ON	OFF	ON	5
-	-	-	OFF	OFF	ON	ON	OFF	6
-	-	-	OFF	OFF	ON	ON	ON	7
-	-	-	OFF	ON	OFF	OFF	OFF	8
-	-	-	OFF	ON	OFF	OFF	ON	9
-	-	-	OFF	ON	OFF	ON	OFF	10
-	-	-	OFF	ON	OFF	ON	ON	11
-	-	-	OFF	ON	ON	OFF	OFF	12
-	-	-	OFF	ON	ON	OFF	ON	13
-	-	-	OFF	ON	ON	ON	OFF	14
-	-	-	OFF	ON	ON	ON	ON	15
-	-	-	ON	OFF	OFF	OFF	OFF	16
-	-	-	ON	OFF	OFF	OFF	ON	17
-	-	-	:	:	:	:	:	:
-	-	-	ON	ON	ON	ON	OFF	30
-	OFF	OFF	-	-	-	-	-	-
-	ON	ON	-	-	-	-	-	-
OFF	-	-	-	-	-	-	-	Status LED off no power supply slow blinking 2 flashes per second ready fast blinking 10 flashes per second receive data
ON	-	-	-	-	-	-	-	

Default values are highlighted.

Note: The module address must be unique within each zone topology.

Technical Specifications

Power Supply	18 kHz to 20 kHz / 8 _{eff} / 20 m
Ambient Temperature Limits	-5 C to +45 C
Dimensions x H x D mm	78 x 15 x 60
eight	30 g

Note: Please ensure that all safety regulations are observed.